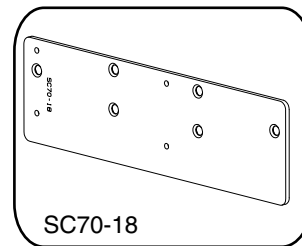
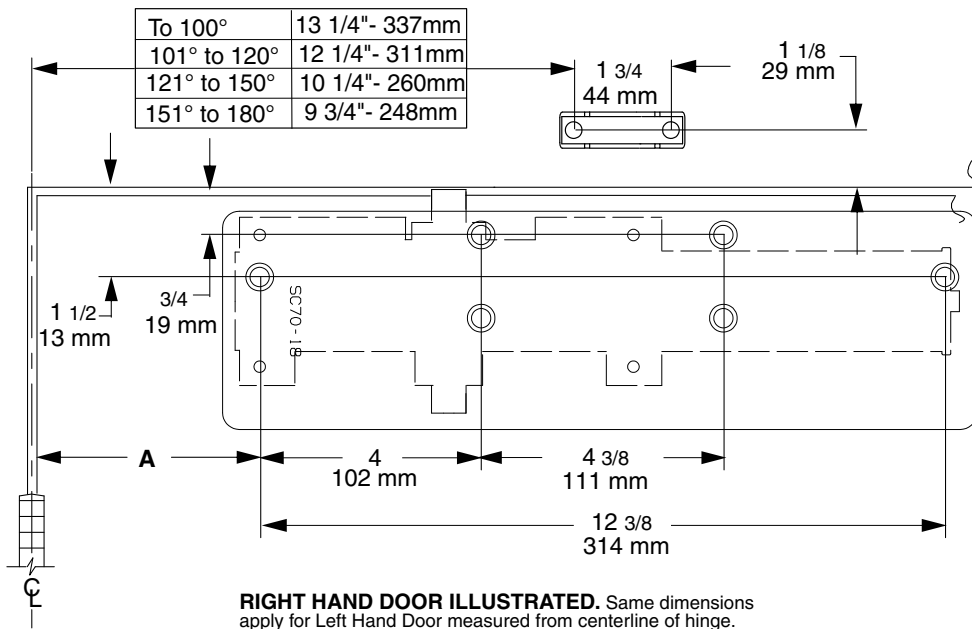


SC 71 PULL SIDE (HINGE SIDE DOOR MOUNT) BACK PLATE PERMITS 180° MAX. OPENING, BUTT SIZE 5x5 MAX.

PULL SIDE MOUNT ON: SC70-18 BACK PLATE

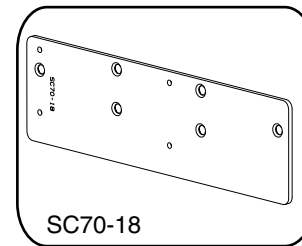
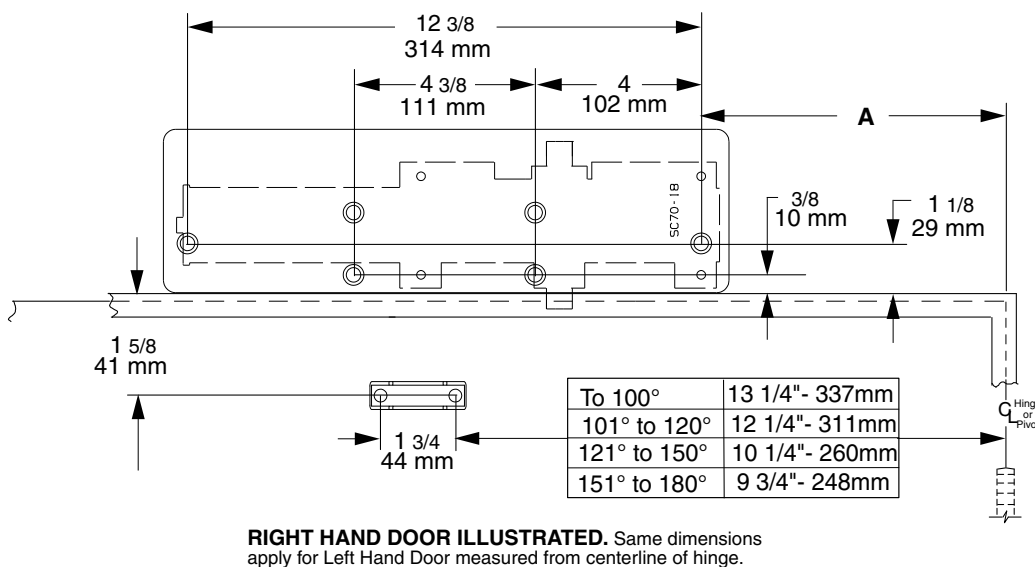


General Notes:
1. Use Standard instruction sheet for installation sequence and closer adjustments.

OPENING	A
To 100°	7 5/8" - 194mm
101° to 120°	6 5/8" - 168mm
121° to 150°	4 5/8" - 117mm
151° to 180°	4 1/8" - 105mm

SC 71 PUSH SIDE (TOP JAMB) BACK PLATE PERMITS 180° MAXIMUM OPENING

PUSH SIDE MOUNT ON: SC70-18 BACK PLATE



General Notes:
1. Use Standard instruction sheet for installation sequence and closer adjustments.

OPENING	A
To 100°	7 5/8" - 194mm
101° to 120°	6 5/8" - 168mm
121° to 150°	4 5/8" - 117mm
151° to 180°	4 1/8" - 105mm

PLATE FASTENERS		DOOR / FRAME	DRILL-SIZES
PLATE	1/4-20 machine	METAL	drill: #7 tap: 1/4-20
	#14 wood	WOOD	1/8"
CLOSER BODY	1/4-20 machine	PLATE	N/A

CAUTION
IMPROPER INSTALLATION OR REGULATION MAY RESULT IN PERSONAL INJURY OR PROPERTY DAMAGE. FOLLOW ALL INSTRUCTIONS CAREFULLY. FOR QUESTIONS, CALL FALCON AT 1-800-815-1517

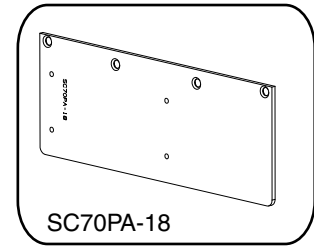
DANGER
Une installation ou un réglage inadéquats peuvent entraîner des blessures ou des dommages. Veuillez suivre toutes les instructions avec soin. Pour plus de renseignements, composez le 1-800-815-1517

ADVERTENCIA
Una instalación o un ajuste incorrectos pueden resultar en daño personal o material. Siga bien todas las instrucciones. para más informaciones, llama a lcn al 1-800-815-1517

FALCON

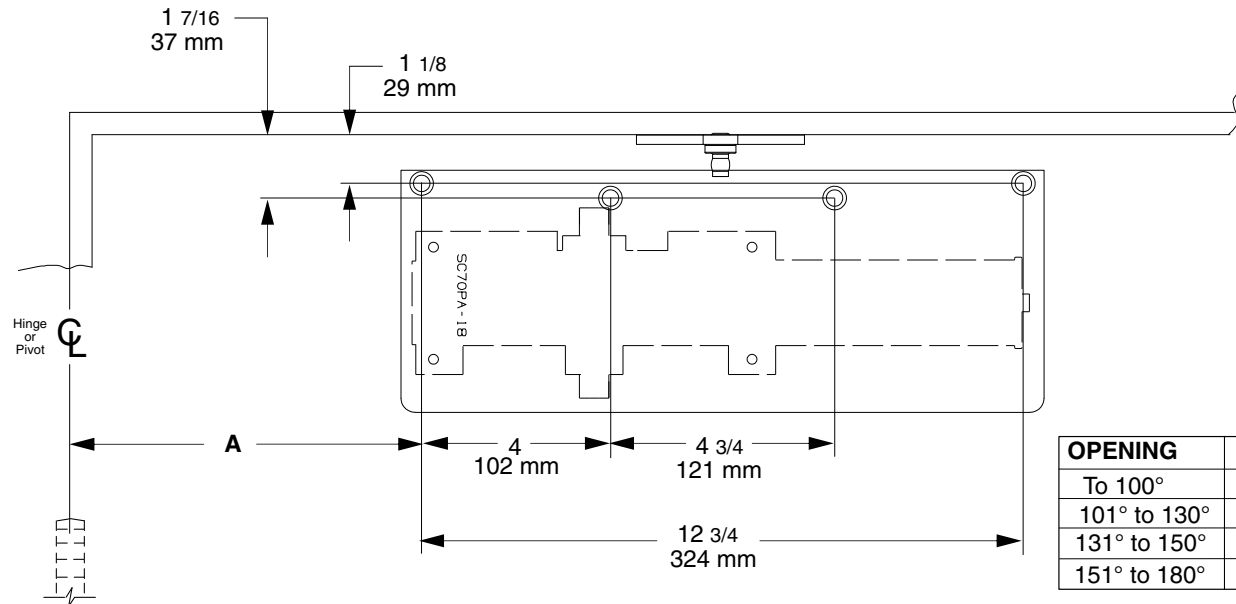
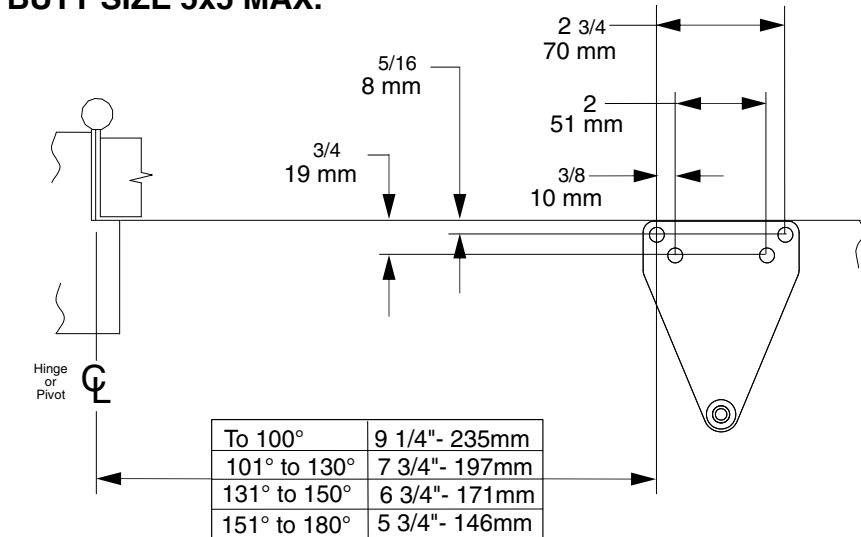
SC 71 PUSH SIDE (PA DOOR MOUNT) DROP PLATE PERMITS 180° MAX. OPENING, BUTT SIZE 5x5 MAX.

**PUSH SIDE MOUNT ON:
SC70PA-18 DROP PLATE**



SC70PA-18

General Notes:
1. Use Standard instruction sheet for installation sequence and closer adjustments.



LEFT HAND DOOR ILLUSTRATED. Same dimensions apply for Right Hand Door measured from centerline of hinge.

PLATE FASTENERS		DOOR / FRAME	DRILL-SIZES
PLATE	1/4-20 machine	METAL	drill: #7 tap: 1/4-20
	#14 wood	WOOD	1/8"
CLOSER BODY	1/4-20 machine	PLATE	N/A

CAUTION
IMPROPER INSTALLATION OR REGULATION MAY RESULT IN PERSONAL INJURY OR PROPERTY DAMAGE. FOLLOW ALL INSTRUCTIONS CAREFULLY. FOR QUESTIONS, CALL FALCON AT 1-800-815-1517

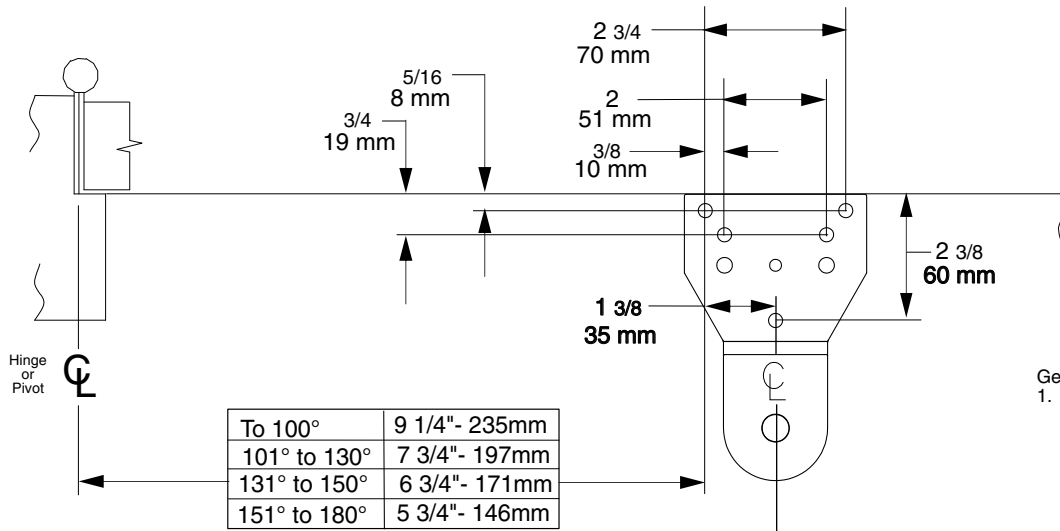
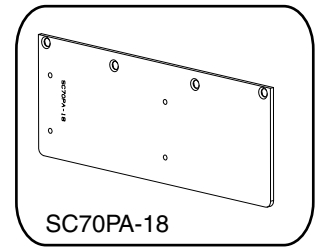
DANGER
Une installation ou un réglage inadéquats peuvent entraîner des blessures ou des dommages. Veuillez suivre toutes les instructions avec soin. Pour plus de renseignements, composez le 1-800-815-1517

ADVERTENCIA
Una instalación o un ajuste incorrectos pueden resultar en daño personal o material. Siga bien todas las instrucciones para más informaciones, llame a Icn al 1-800-815-1517

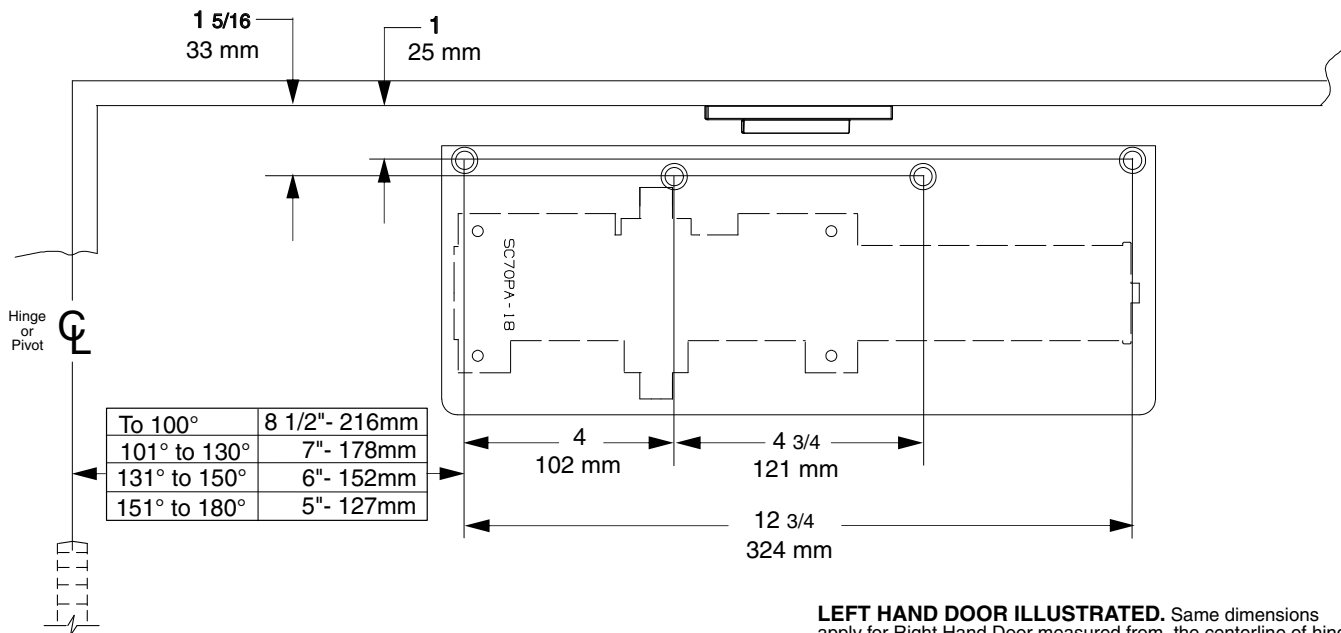
FALCON®

SC 71 Heavy Duty PUSH SIDE (PA DOOR MOUNT) DROP PLATE PERMITS 180° MAX. OPENING, BUTT SIZE 5x5 MAX.

PUSH SIDE MOUNT ON: SC70PA-18 DROP PLATE



General Notes:
1. Use Heavy Duty instruction sheet for installation sequence and closer adjustments.



LEFT HAND DOOR ILLUSTRATED. Same dimensions apply for Right Hand Door measured from the centerline of hinge.

PLATE FASTENERS		DOOR / FRAME	DRILL-SIZES
PLATE	1/4-20 machine	METAL	drill: #7 tap: 1/4-20
	#14 wood	WOOD	1/8"
CLOSER BODY	1/4-20 machine	PLATE	N/A

CAUTION
IMPROPER INSTALLATION OR REGULATION MAY RESULT IN PERSONAL INJURY OR PROPERTY DAMAGE. FOLLOW ALL INSTRUCTIONS CAREFULLY FOR QUESTIONS, CALL FALCON AT 1-800-815-1517

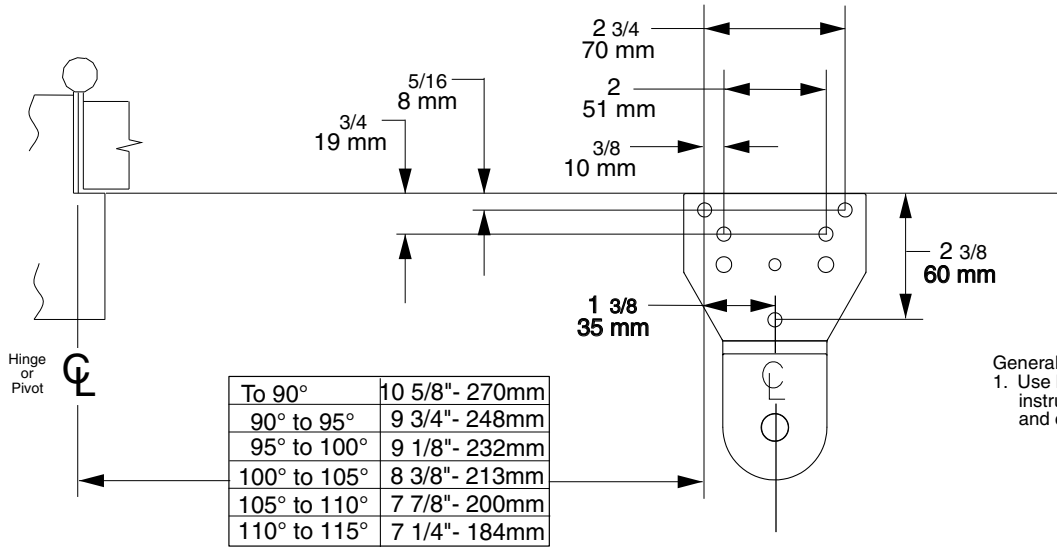
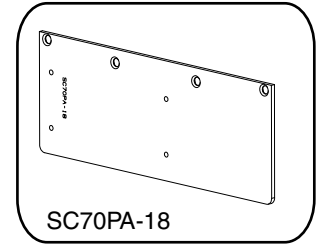
DANGER
Une installation ou un réglage inadéquats peuvent entraîner des blessures ou des dommages. Veuillez suivre toutes les instructions avec soin. Pour plus de renseignements, composez le 1-800-815-1517

ADVERTENCIA
Una instalación o un ajuste incorrectos pueden resultar en daño personal o material. Siga bien todas las instrucciones para más informaciones, lláma a lcn al 1-800-815-1517

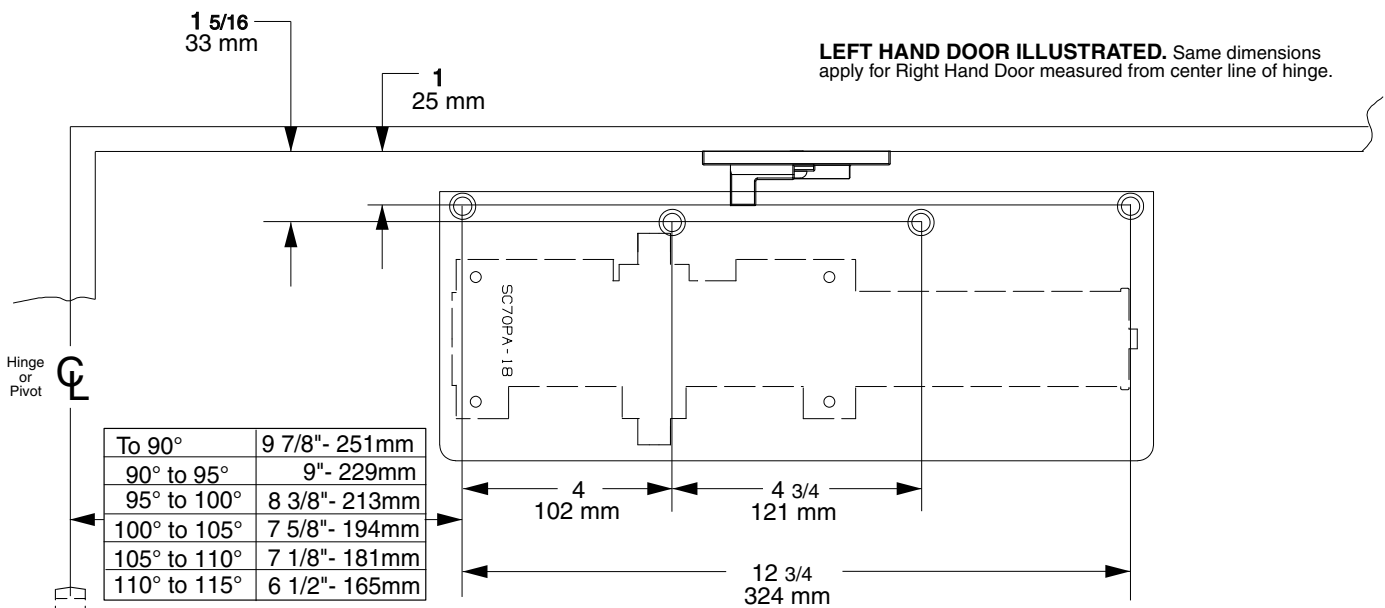
FALCON

SC 71 Dead Stop (or w/ DS Hold-open) PUSH SIDE (PA DOOR MOUNT) DROP PLATE PERMITS 115° MAX. OPENING, BUTT SIZE 5x5 MAX.

**PUSH SIDE MOUNT ON:
SC70PA-18 DROP PLATE**



General Notes:
1. Use Dead Stop & Dead Stop Hold Open instruction sheet for installation sequence and closer adjustments.



LEFT HAND DOOR ILLUSTRATED. Same dimensions apply for Right Hand Door measured from center line of hinge.

PLATE FASTENERS		DOOR / FRAME	DRILL-SIZES
PLATE	1/4-20 machine	METAL	drill: #7 tap: 1/4-20
	#14 wood	WOOD	1/8"
CLOSER BODY	1/4-20 machine	PLATE	N/A

CAUTION
IMPROPER INSTALLATION OR REGULATION MAY RESULT IN PERSONAL INJURY OR PROPERTY DAMAGE. FOLLOW ALL INSTRUCTIONS CAREFULLY FOR QUESTIONS, CALL **FALCON** AT 1-800-815-1517

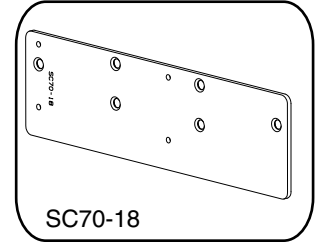
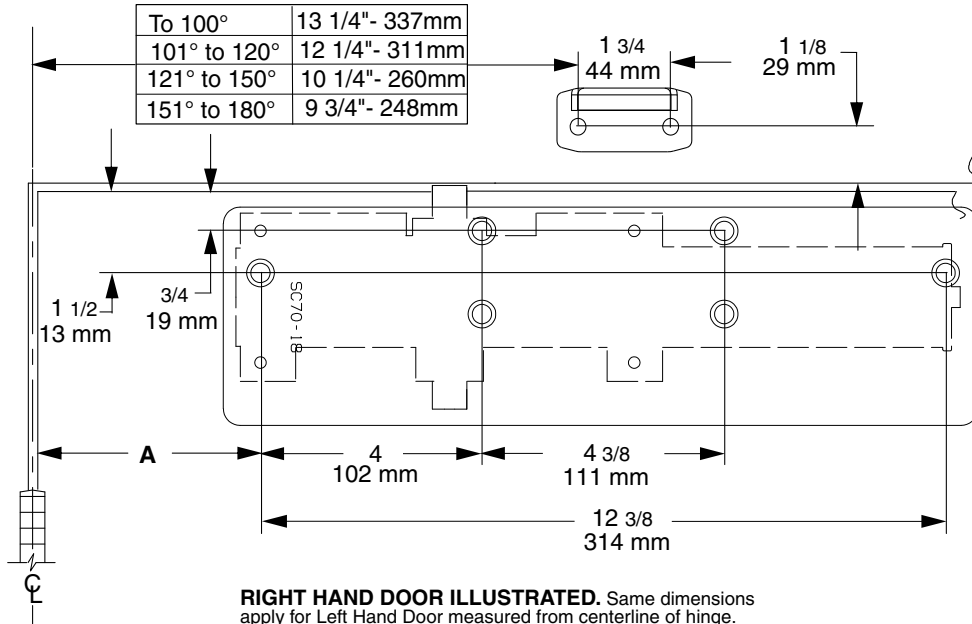
DANGER
Une installation ou un réglage inadéquats peuvent entraîner des blessures ou des dommages. Veuillez suivre toutes les instructions avec soin. Pour plus de renseignements, composez le 1-800-815-1517

ADVERTENCIA
Una instalación o un ajuste incorrectos pueden resultar en daño personal o material. Siga bien todas las instrucciones. para más informaciones, llama a lcn al 1-800-815-1517

FALCON

SC 71 Hold-Open PULL SIDE (HINGE SIDE DOOR MOUNT) BACK PLATE PERMITS 180° MAX. OPENING, BUTT SIZE 5x5 MAX.

**PULL SIDE MOUNT ON:
SC70-18 BACK PLATE**

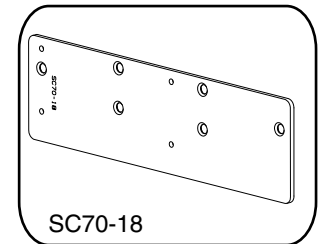
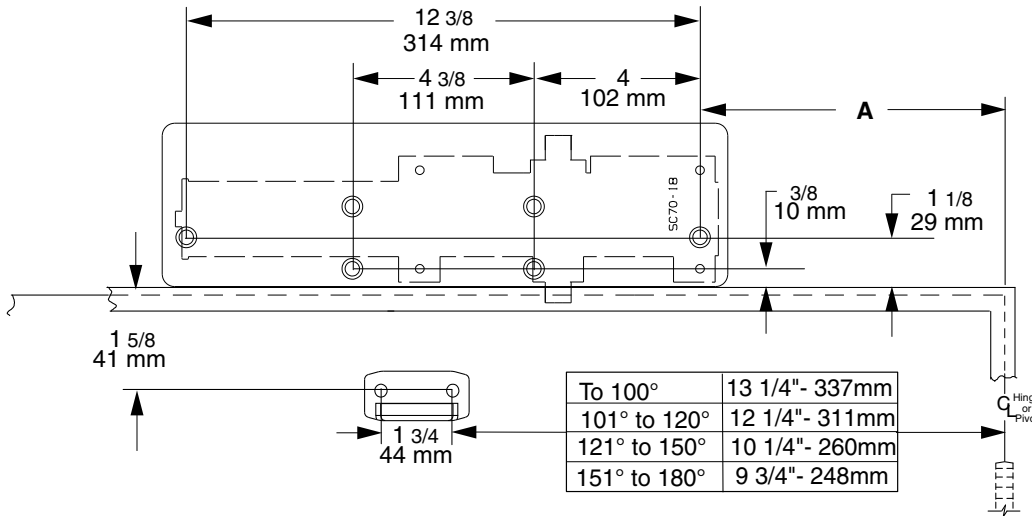


General Notes:
1. Use Standard instruction sheet for installation sequence and closer adjustments.

OPENING	A
To 100°	7 5/8" - 194mm
101° to 120°	6 5/8" - 168mm
121° to 150°	4 5/8" - 117mm
151° to 180°	4 1/8" - 105mm

SC 71 Hold-Open PUSH SIDE (TOP JAMB) BACK PLATE PERMITS 180° MAXIMUM OPENING

**PUSH SIDE MOUNT ON:
SC70-18 BACK PLATE**



General Notes:
1. Use Standard instruction sheet for installation sequence and closer adjustments.

OPENING	A
To 100°	7 5/8" - 194mm
101° to 120°	6 5/8" - 168mm
121° to 150°	4 5/8" - 117mm
151° to 180°	4 1/8" - 105mm

PLATE FASTENERS

		DOOR / FRAME	DRILL-SIZES
PLATE		METAL	drill: #7 tap: 1/4-20
		WOOD	1/8"
CLOSER BODY		PLATE	N/A

CAUTION
IMPROPER INSTALLATION OR REGULATION MAY RESULT IN PERSONAL INJURY OR PROPERTY DAMAGE. FOLLOW ALL INSTRUCTIONS CAREFULLY. FOR QUESTIONS, CALL FALCON AT 1-800-815-1517

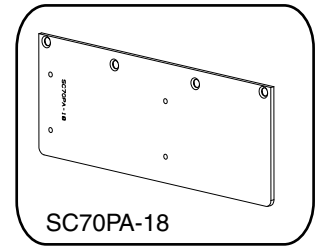
DANGER
Une installation ou un réglage inadéquats peuvent entraîner des blessures ou des dommages. Veuillez suivre toutes les instructions avec soin. Pour plus de renseignements, composez le 1-800-815-1517

ADVERTENCIA
Una instalación o un ajuste incorrectos pueden resultar en daño personal o material. Siga bien todas las instrucciones. para más informaciones, llama a lcn al 1-800-815-1517

FALCON

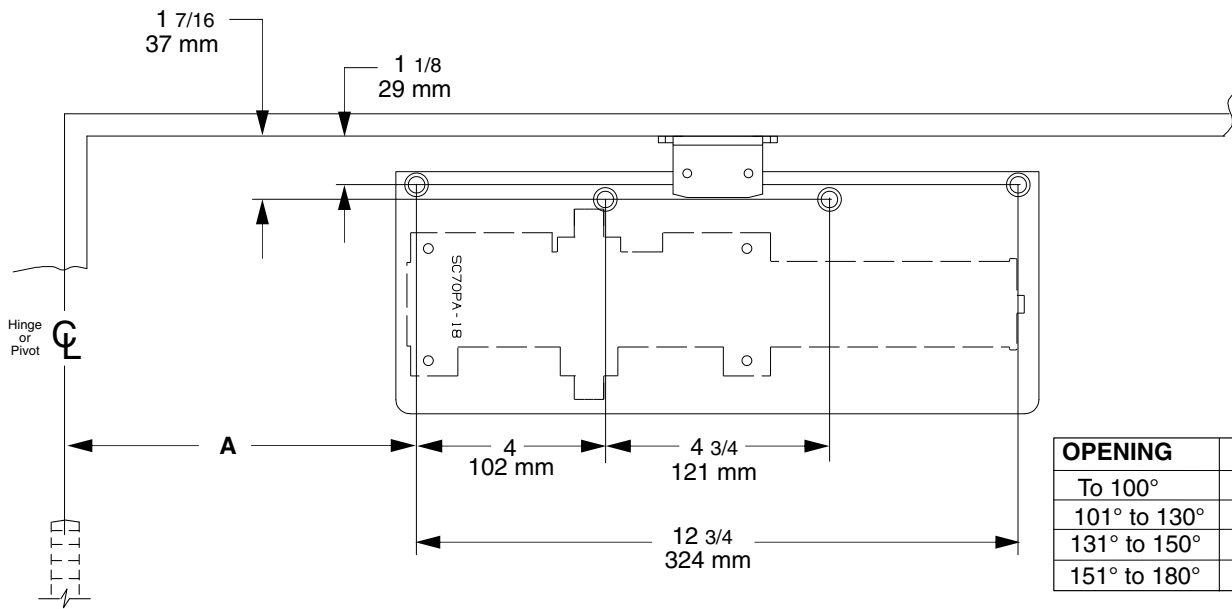
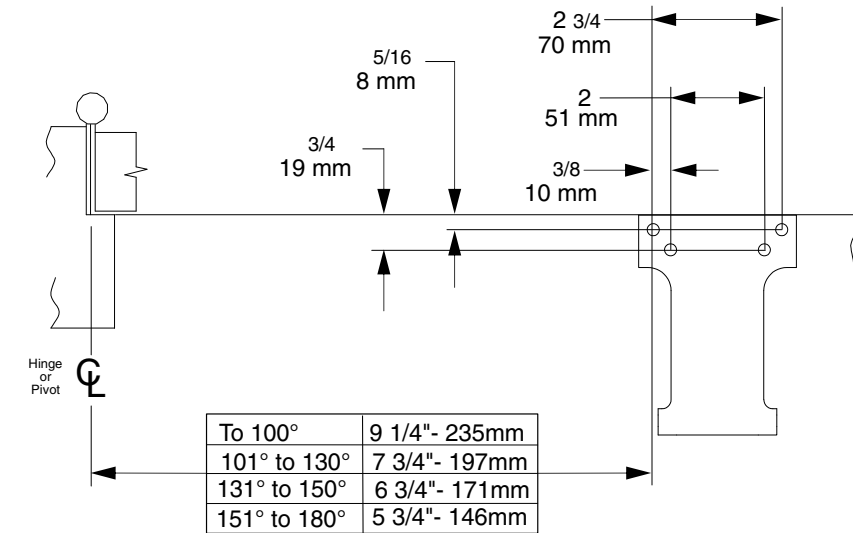
SC 71 Hold-Open PUSH SIDE (PA DOOR MOUNT) DROP PLATE PERMITS 180° MAX. OPENING, BUTT SIZE 5x5 MAX.

Hold-Open PUSH SIDE MOUNT ON: SC70PA-18 DROP PLATE



SC70PA-18

General Notes:
1. Use Standard instruction sheet for installation sequence and closer adjustments.



LEFT HAND DOOR ILLUSTRATED. Same dimensions apply for Right Hand Door measured from centerline of hinge.

PLATE FASTENERS		DOOR / FRAME	DRILL-SIZES
PLATE	1/4-20 machine	METAL	drill: #7 tap: 1/4-20
	#14 wood	WOOD	1/8"
CLOSER BODY	1/4-20 machine	PLATE	N/A

CAUTION
IMPROPER INSTALLATION OR REGULATION MAY RESULT IN PERSONAL INJURY OR PROPERTY DAMAGE. FOLLOW ALL INSTRUCTIONS CAREFULLY. FOR QUESTIONS, CALL **FALCON AT 1-800-815-1517**

DANGER
Une installation ou un réglage inadéquats peuvent entraîner des blessures ou des dommages. Veuillez suivre toutes les instructions avec soin. Pour plus de renseignements, composez le 1-800-815-1517

ADVERTENCIA
Una instalación o un ajuste incorrectos pueden resultar en daño personal o material. Siga bien todas las instrucciones. para más informaciones, llama a lcn al 1-800-815-1517

FALCON®