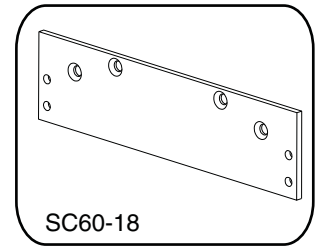
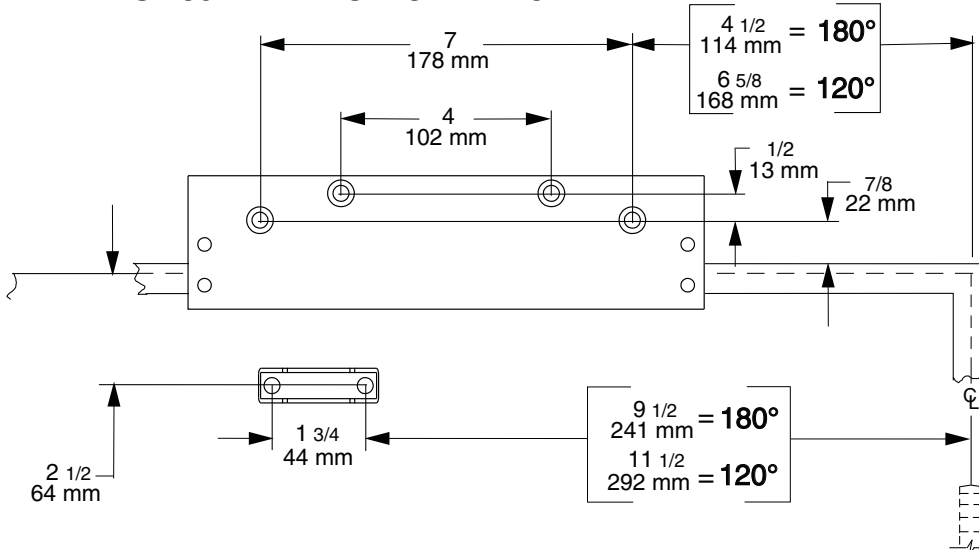


SC60/SC61 PUSH SIDE (TOP JAMB) DROP PLATE PERMITS 180° MAXIMUM OPENING

PUSH SIDE MOUNT ON: SC60-18 DROP PLATE

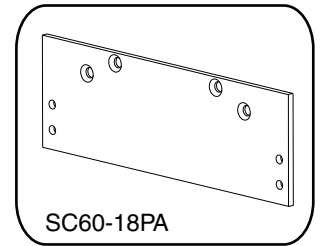
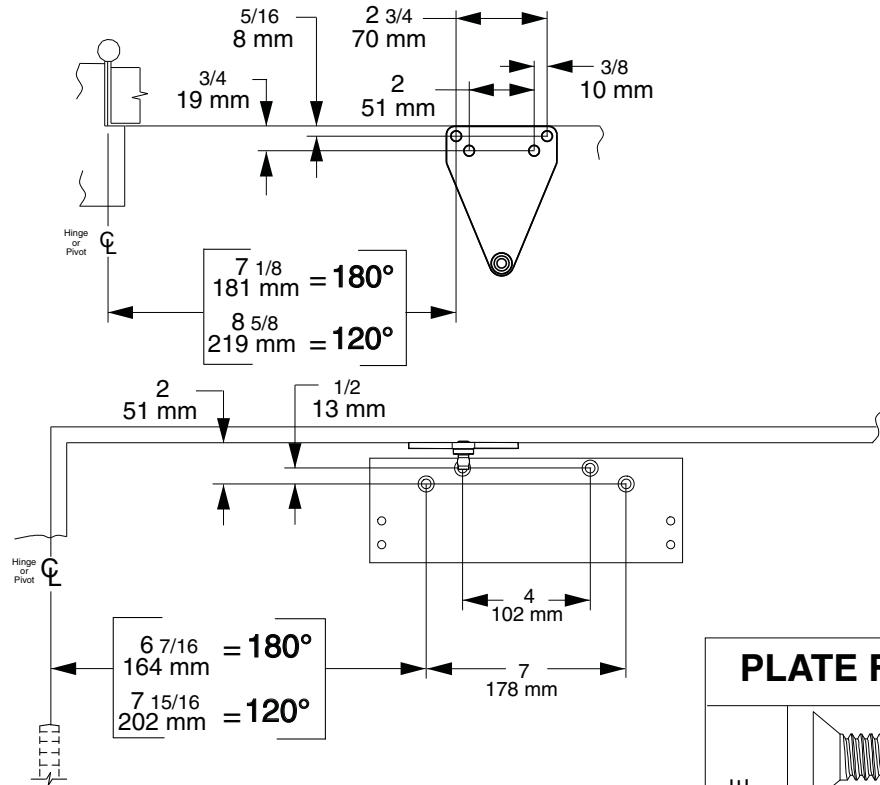


- General Notes:
1. Use Standard instruction sheet for installation sequence and closer adjustments.
 2. Backcheck faces away from the hinge edge.
 3. Use shorter machine screws to attach cylinder to drop plate.

RIGHT HAND DOOR ILLUSTRATED. Same dimensions apply for Left Hand Door measured from hinge side.


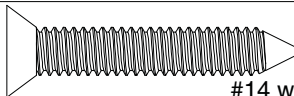
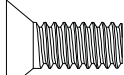
SC60/SC61 PUSH SIDE (PA DOOR MOUNT) DROP PLATE PERMITS 180° MAX. OPENING, BUTT SIZE 5x5 MAX.

PUSH SIDE MOUNT ON: SC60-18PA DROP PLATE



- General Notes:
1. Use Standard instruction sheet for installation sequence and closer adjustments.
 2. Backcheck faces toward the hinge edge.
 3. Use shorter machine screws to attach cylinder to drop plate.

LEFT HAND DOOR ILLUSTRATED. Same dimensions apply for Right Hand Door measured from hinge side.

PLATE FASTENERS		DOOR / FRAME	DRILL-SIZES
PLATE	 1/4-20 machine	METAL	drill: #7 tap: 1/4-20
	 #14 wood	WOOD	1/8"
CLOSER BODY	 1/4-20 machine	PLATE	N/A

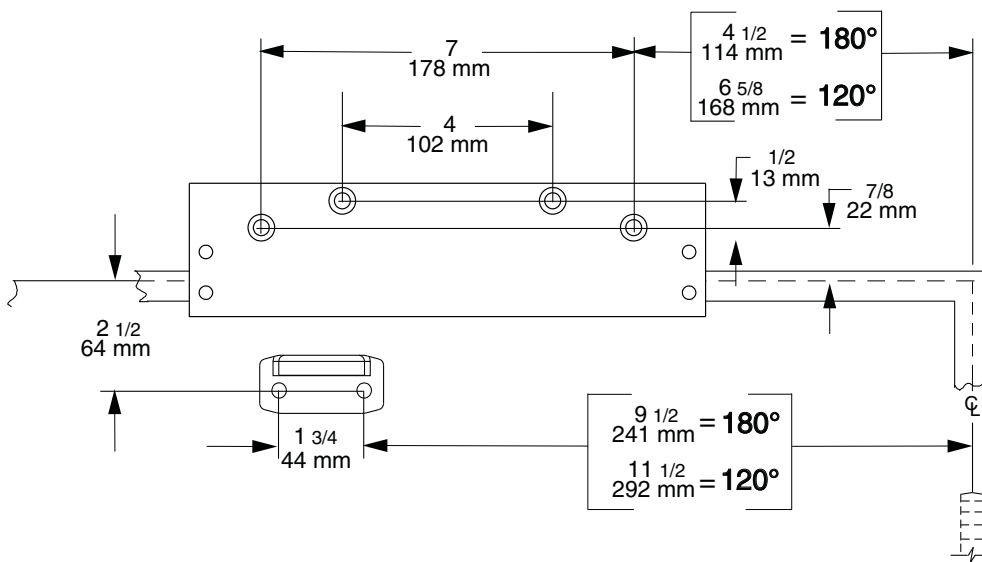
CAUTION
IMPROPER INSTALLATION OR REGULATION MAY RESULT IN PERSONAL INJURY OR PROPERTY DAMAGE. FOLLOW ALL INSTRUCTIONS CAREFULLY. FOR QUESTIONS, CALL Dor-O-Matic AT 1-800-815-1517

DANGER
Une installation ou un réglage inadéquats peuvent entraîner des blessures ou des dommages. Veuillez suivre toutes les instructions avec soin. Pour plus de renseignements, composez le 1-800-815-1517

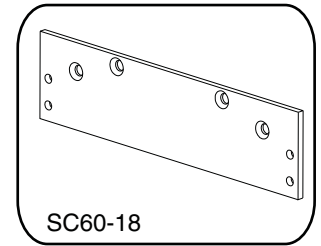
ADVERTENCIA
Una instalación o un ajuste incorrectos pueden resultar en daño personal o material. Siga bien todas las instrucciones para más informaciones, llama a Ion al 1-800-815-1517



SC60/SC61 Hold-Open PUSH SIDE (TOP JAMB) DROP PLATE PERMITS 180° MAXIMUM OPENING



PUSH SIDE MOUNT ON: SC60-18 DROP PLATE

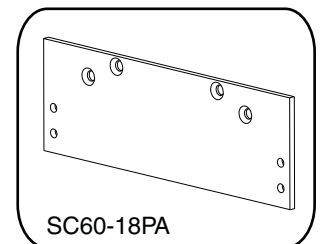
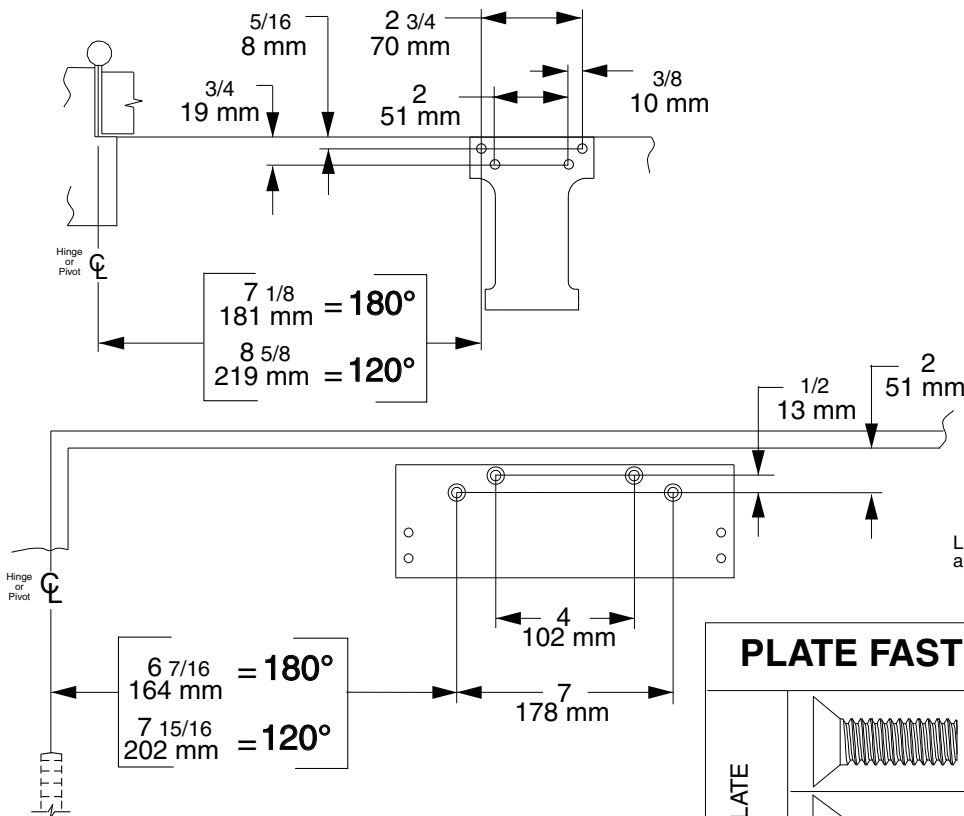


- General Notes:
1. Use Standard instruction sheet for installation sequence and closer adjustments.
 2. Backcheck faces **away** from the hinge edge.
 3. Use shorter machine screws to attach cylinder to drop plate.

RIGHT HAND DOOR ILLUSTRATED. Same dimensions apply for Left Hand Door measured from hinge side.

SC60/SC61 Hold-Open PUSH SIDE (PA DOOR MOUNT) DROP PLATE PERMITS 180° MAX. OPENING, BUTT SIZE 5x5 MAX.

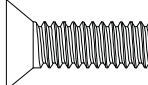
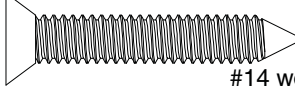
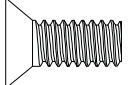
PUSH SIDE MOUNT ON: SC60-18PA DROP PLATE



- General Notes:
1. Use Standard instruction sheet for installation sequence and closer adjustments.
 2. Backcheck faces **toward** the hinge edge.
 3. Use shorter machine screws to attach cylinder to drop plate.

LEFT HAND DOOR ILLUSTRATED. Same dimensions apply for Right Hand Door measured from hinge side.

PLATE FASTENERS

		DOOR / FRAME	DRILL-SIZES
PLATE		METAL	drill: #7 tap: 1/4-20
		WOOD	1/8"
CLOSER BODY		PLATE	N/A

CAUTION
IMPROPER INSTALLATION OR REGULATION MAY RESULT IN PERSONAL INJURY OR PROPERTY DAMAGE. FOLLOW ALL INSTRUCTIONS CAREFULLY. FOR QUESTIONS, CALL Dor-O-Matic AT 1-800-815-1517

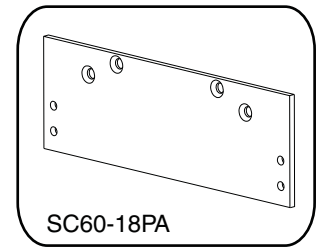
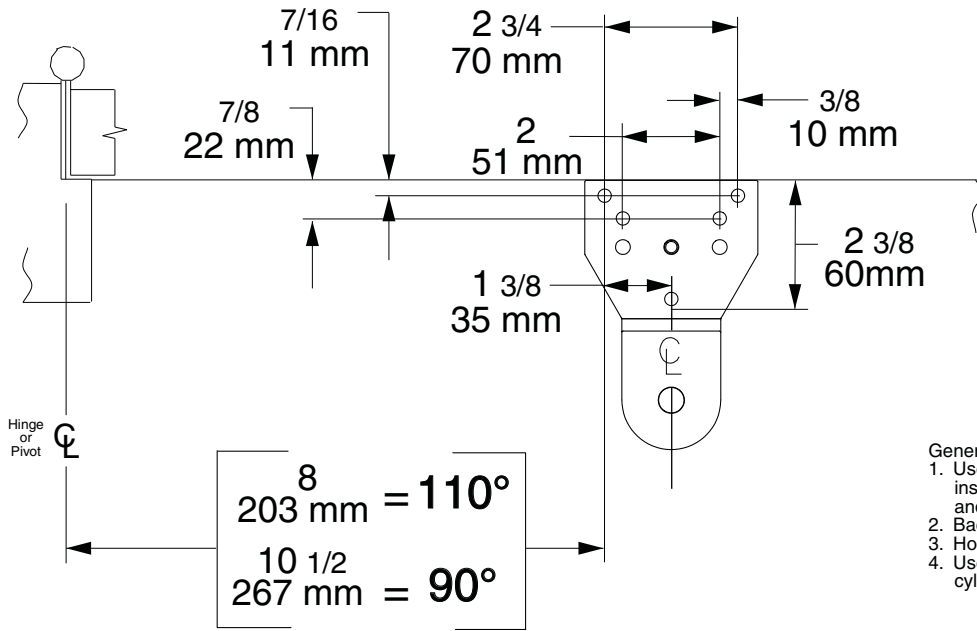
DANGER
Une installation ou un réglage inadéquats peuvent entraîner des blessures ou des dommages. Veuillez suivre toutes les instructions avec soin. Pour plus de renseignements, composez le 1-800-815-1517

ADVERTENCIA
Una instalación o un ajuste incorrectos pueden resultar en daño personal o material. Siga bien todas las instrucciones. para más informaciones, llama a lcn al 1-800-815-1517



SC60/SC61 Dead Stop (or w/ DS Hold-open) PUSH SIDE (PA DOOR MOUNT) DROP PLATE PERMITS 110° MAX. OPENING, BUTT SIZE 5x5 MAX.

**PUSH SIDE MOUNT ON:
SC60-18PA DROP PLATE**



General Notes:

1. Use Dead Stop & Dead Stop Hold-Open instruction sheet for installation sequence and closer adjustments.
2. Backcheck faces toward the hinge edge.
3. Hold-open point is 4° less than dead stop point.
4. Use shorter machine screws to attach cylinder to drop plate.

LEFT HAND DOOR ILLUSTRATED. Same dimensions apply for Right Hand Door measured from hinge side.

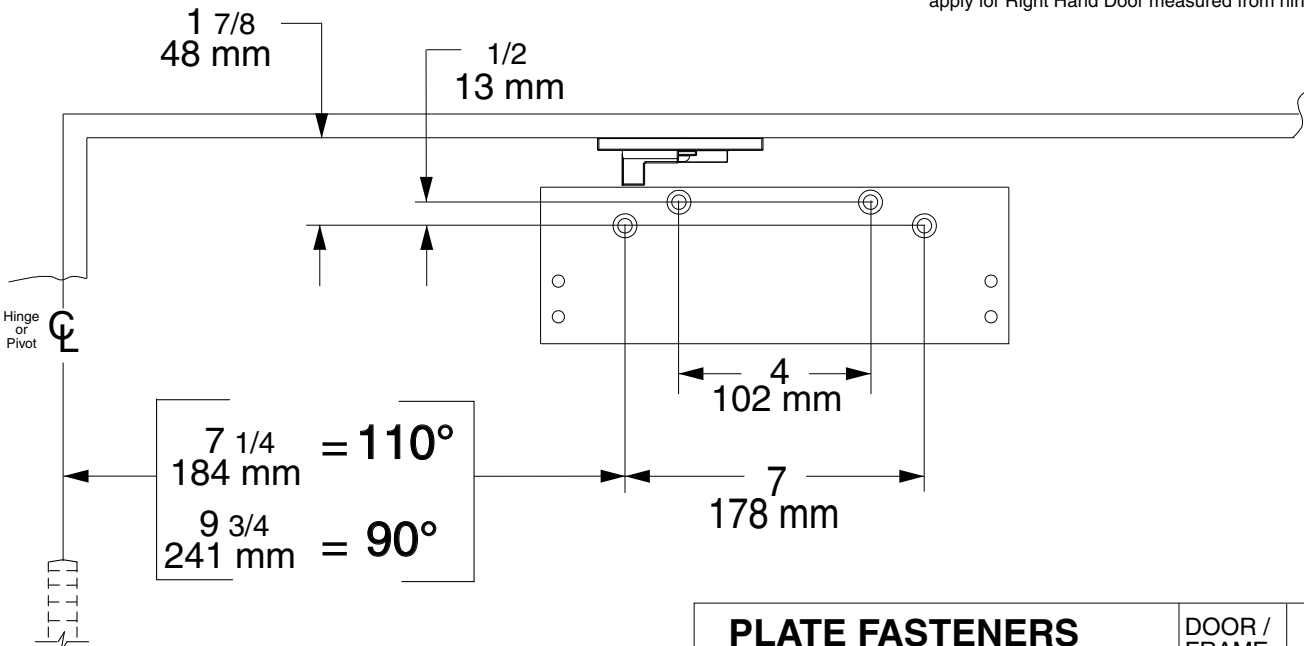
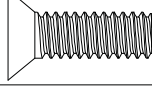
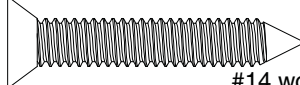
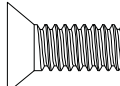


PLATE FASTENERS		DOOR / FRAME	DRILL-SIZES
PLATE	 1/4-20 machine	METAL	drill: #7 tap: 1/4-20
	 #14 wood	WOOD	1/8"
CLOSER BODY	 1/4-20 machine	PLATE	N/A

CAUTION
IMPROPER INSTALLATION OR REGULATION MAY RESULT IN PERSONAL INJURY OR PROPERTY DAMAGE. FOLLOW ALL INSTRUCTIONS CAREFULLY. FOR QUESTIONS, CALL Dor-O-Matic AT 1-800-815-1517

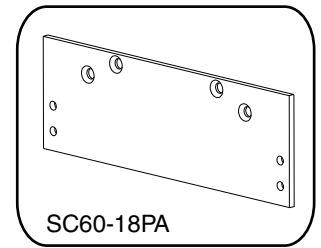
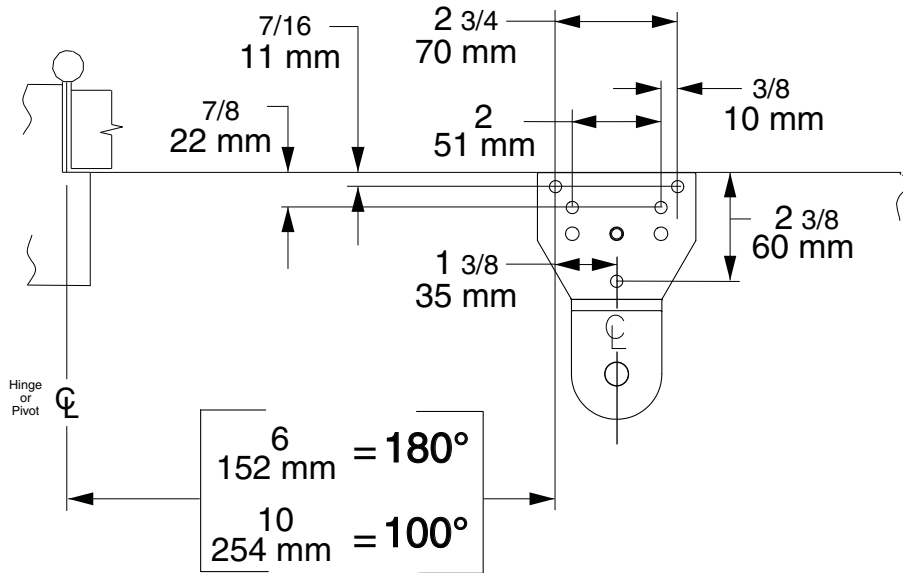
DANGER
Une installation ou un réglage inadéquats peuvent entraîner des blessures ou des dommages. Veuillez suivre toutes les instructions avec soin. Pour plus de renseignements, composez le 1-800-815-1517

ADVERTENCIA
Una instalación o un ajuste incorrectos pueden resultar en daño personal o material. Siga bien todas las instrucciones para más informaciones, llame a Icn al 1-800-815-1517



SC60/SC61 Heavy Duty PUSH SIDE (PA DOOR MOUNT) DROP PLATE PERMITS 180° MAX. OPENING, BUTT SIZE 5x5 MAX.

PUSH SIDE MOUNT ON: SC60-18PA DROP PLATE



- General Notes:
1. Use Heavy Duty instruction sheet for installation sequence and closer adjustments.
 2. Backcheck faces toward the hinge edge.
 3. Use shorter machine screws to attach cylinder to drop plate.

LEFT HAND DOOR ILLUSTRATED. Same dimensions apply for Right Hand Door measured from hinge side.

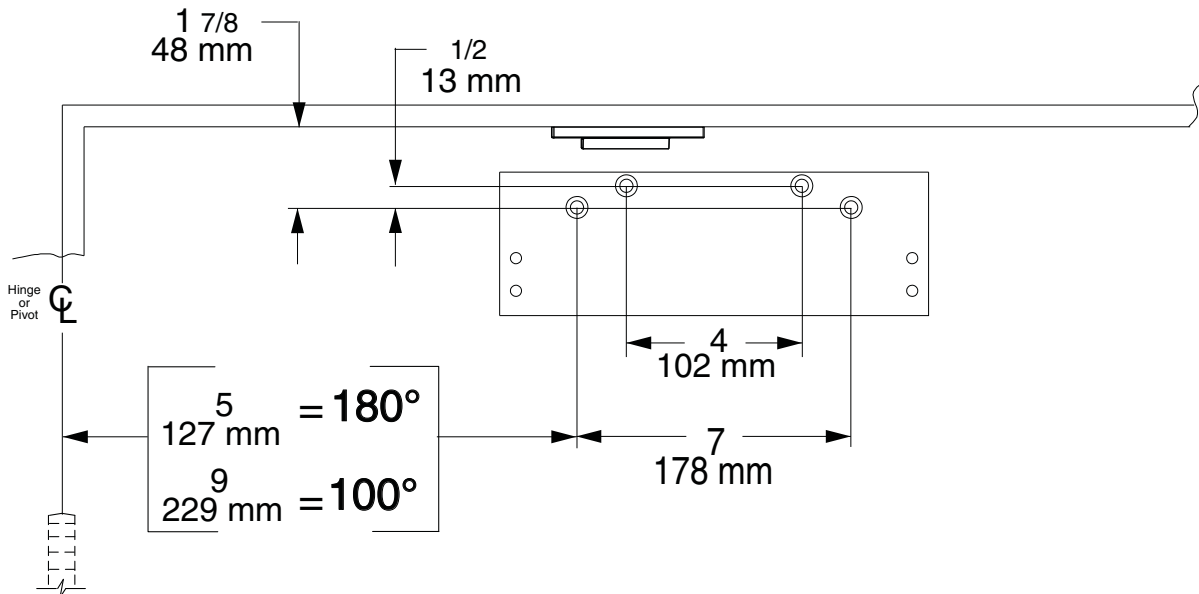
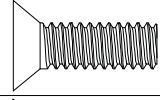
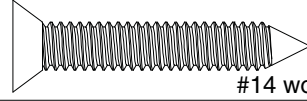
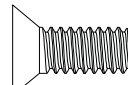


PLATE FASTENERS		DOOR / FRAME	DRILL-SIZES
PLATE	 1/4-20 machine	METAL	drill: #7 tap: 1/4-20
	 #14 wood	WOOD	1/8"
CLOSER BODY	 1/4-20 machine	PLATE	N/A

CAUTION
IMPROPER INSTALLATION OR REGULATION MAY RESULT IN PERSONAL INJURY OR PROPERTY DAMAGE. FOLLOW ALL INSTRUCTIONS CAREFULLY. FOR QUESTIONS, CALL Dor-O-Matic AT 1-800-815-1517

DANGER
Une installation ou un réglage inadéquats peuvent entraîner des blessures ou des dommages. Veuillez suivre toutes les instructions avec soin. Pour plus de renseignements, composez le 1-800-815-1517

ADVERTENCIA
Una instalación o un ajuste incorrectos pueden resultar en daño personal o material. Siga bien todas las instrucciones. para más informaciones, llama a lcn al 1-800-815-1517

