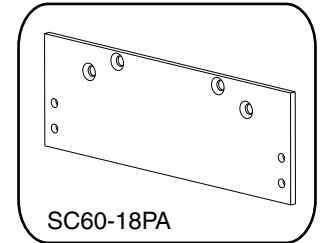
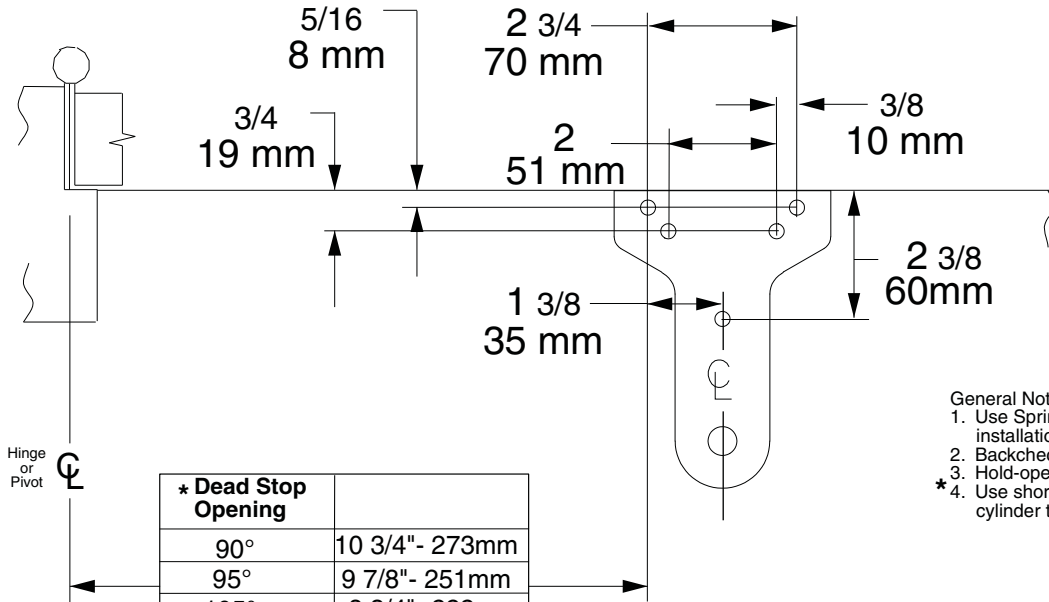


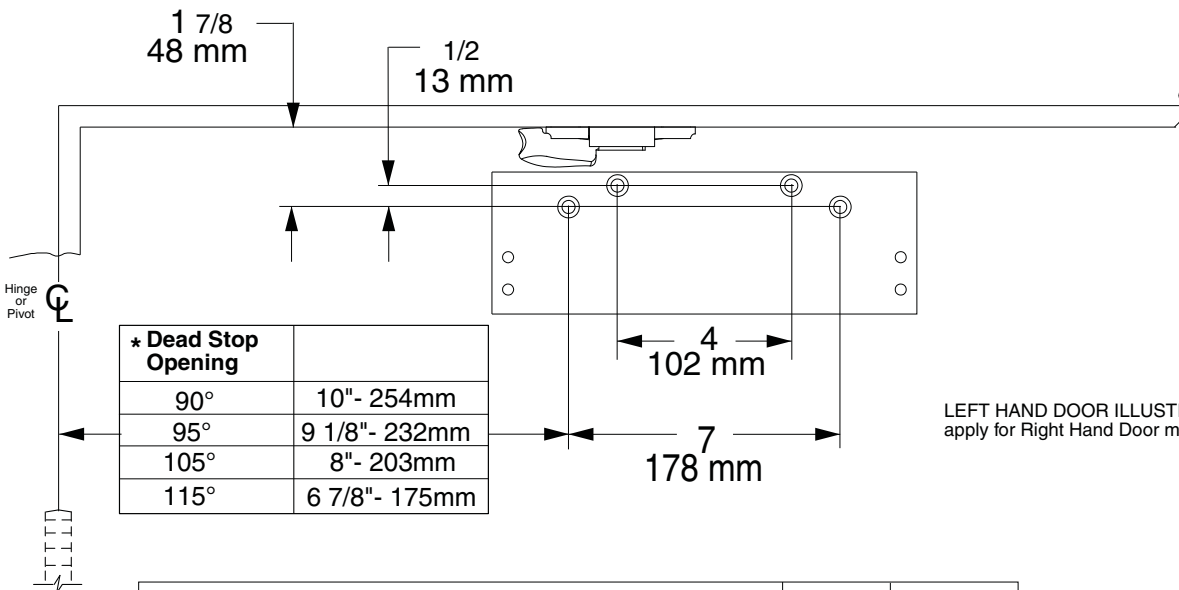
**SC60/SC61 Spring -N- Stop (or w/ SNS Hold-Open) PUSH SIDE (PA DOOR MOUNT)  
DROP PLATE PERMITS 115° MAX. OPENING, BUTT SIZE 5x5 MAX.**

**PUSH SIDE MOUNT ON:  
SC60-18PA DROP PLATE**



* Dead Stop Opening	
90°	10 3/4" - 273mm
95°	9 7/8" - 251mm
105°	8 3/4" - 222mm
115°	7 5/8" - 194mm

- General Notes:
1. Use Spring -N- Stop instruction sheet for installation sequence and closer adjustments.
  2. Backcheck faces toward the hinge edge.
  3. Hold-open point is 5° less than dead stop opening.
  - \* 4. Use shorter machine screws to attach cylinder to drop plate.



* Dead Stop Opening	
90°	10" - 254mm
95°	9 1/8" - 232mm
105°	8" - 203mm
115°	6 7/8" - 175mm

LEFT HAND DOOR ILLUSTRATED. Same dimensions apply for Right Hand Door measured from hinge side.

PLATE FASTENERS		DOOR / FRAME	DRILL-SIZES
PLATE	1/4-20 machine	METAL	drill: #7 tap: 1/4-20
	#14 wood	WOOD	1/8"
CLOSER BODY	1/4-20 machine	PLATE	N/A

**CAUTION**  
IMPROPER INSTALLATION OR REGULATION MAY RESULT IN PERSONAL INJURY OR PROPERTY DAMAGE. FOLLOW ALL INSTRUCTIONS CAREFULLY. FOR QUESTIONS, CALL Dor-O-Matic AT 1-800-815-1517

**DANGER**  
Une installation ou un réglage inadéquats peuvent entraîner des blessures ou des dommages. Veuillez suivre toutes les instructions avec soin. Pour plus de renseignements, composez le 1-800-815-1517

**ADVERTENCIA**  
Una instalación o un ajuste incorrectos pueden resultar en daño personal o material. Siga bien todas las instrucciones, para más informaciones, llama a lcn al 1-800-815-1517

