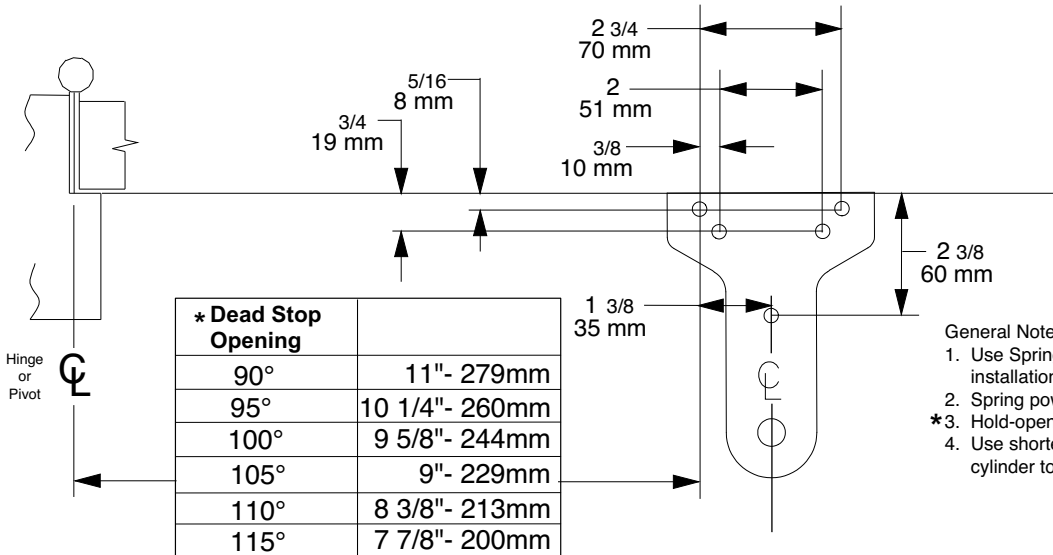
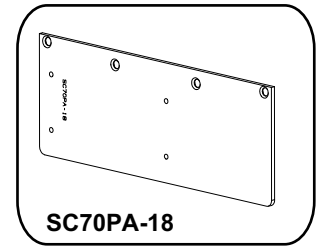


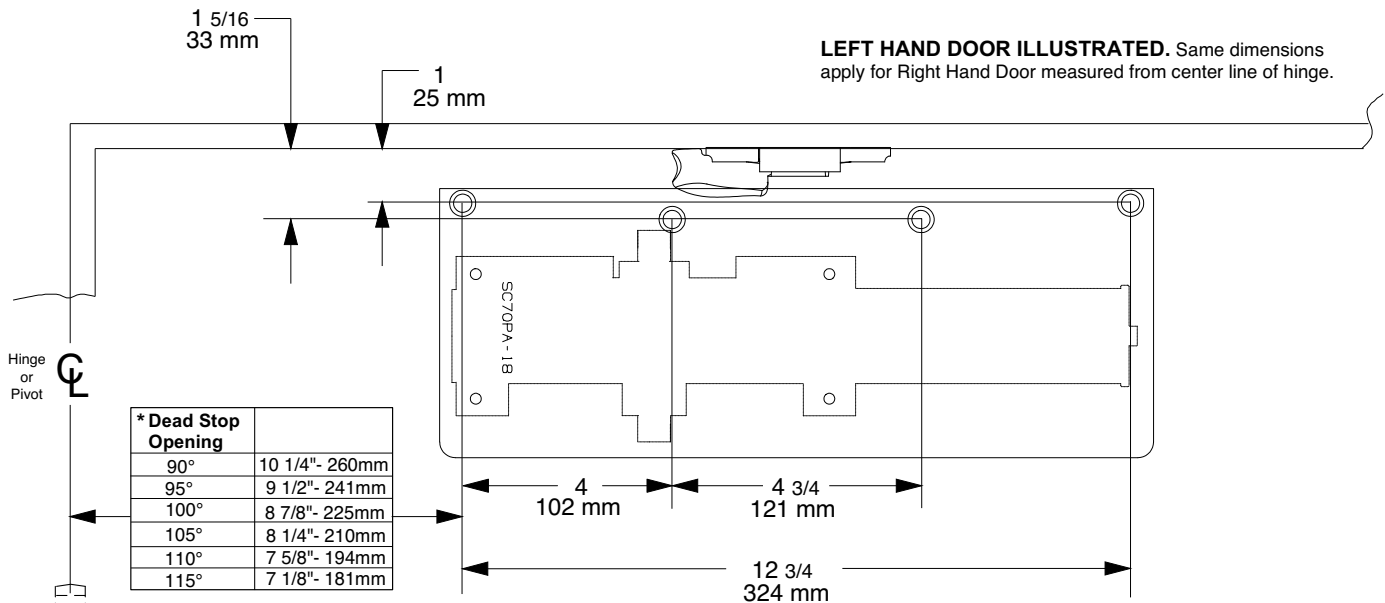
SC 71 Spring -N- Stop (or w/ SNS Hold-Open) PUSH SIDE (PA DOOR MOUNT) DROP PLATE PERMITS 115° MAX. OPENING, BUTT SIZE 5x5 MAX.

**PUSH SIDE MOUNT ON:
SC70PA-18 DROP PLATE**



General Notes:

1. Use Spring -N- Stop instruction sheet for installation sequence and closer adjustments.
2. Spring power faces away from the hinge edge.
- *3. Hold-open point is 5° less than dead stop opening.
4. Use shorter machine screws to attach cylinder to drop plate.



LEFT HAND DOOR ILLUSTRATED. Same dimensions apply for Right Hand Door measured from center line of hinge.

PLATE FASTENERS		DOOR / FRAME	DRILL-SIZES
PLATE	1/4-20 machine	METAL	drill: #7 tap: 1/4-20
	#14 wood	WOOD	1/8"
CLOSER BODY	1/4-20 machine	PLATE	N/A

CAUTION
IMPROPER INSTALLATION OR REGULATION MAY RESULT IN PERSONAL INJURY OR PROPERTY DAMAGE. FOLLOW ALL INSTRUCTIONS CAREFULLY. FOR QUESTIONS, CALL Dor-O-Matic AT 1-800-815-1517

DANGER
Une installation ou un réglage inadéquats peuvent entraîner des blessures ou des dommages. Veuillez suivre toutes les instructions avec soin. Pour plus de renseignements, composez le 1-800-815-1517

ADVERTENCIA
Una instalación o un ajuste incorrectos pueden resultar en daño personal o material. Siga bien todas las instrucciones, para más informaciones, llama a lcn al 1-800-815-1517

