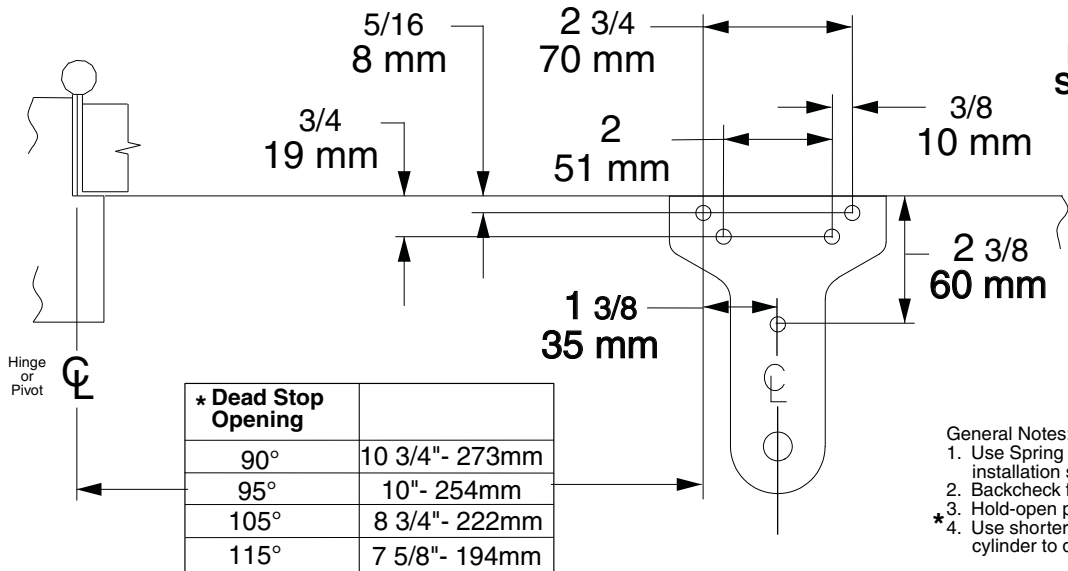
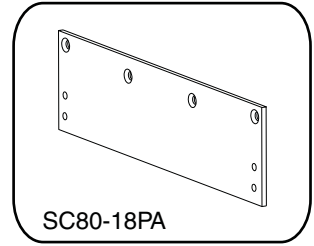


**SC80/SC81 Spring -N- Stop (or w/ SNS Hold-Open) PUSH SIDE (PA DOOR MOUNT)
DROP PLATE PERMITS 115° MAX. OPENING, BUTT SIZE 5x5 MAX.**

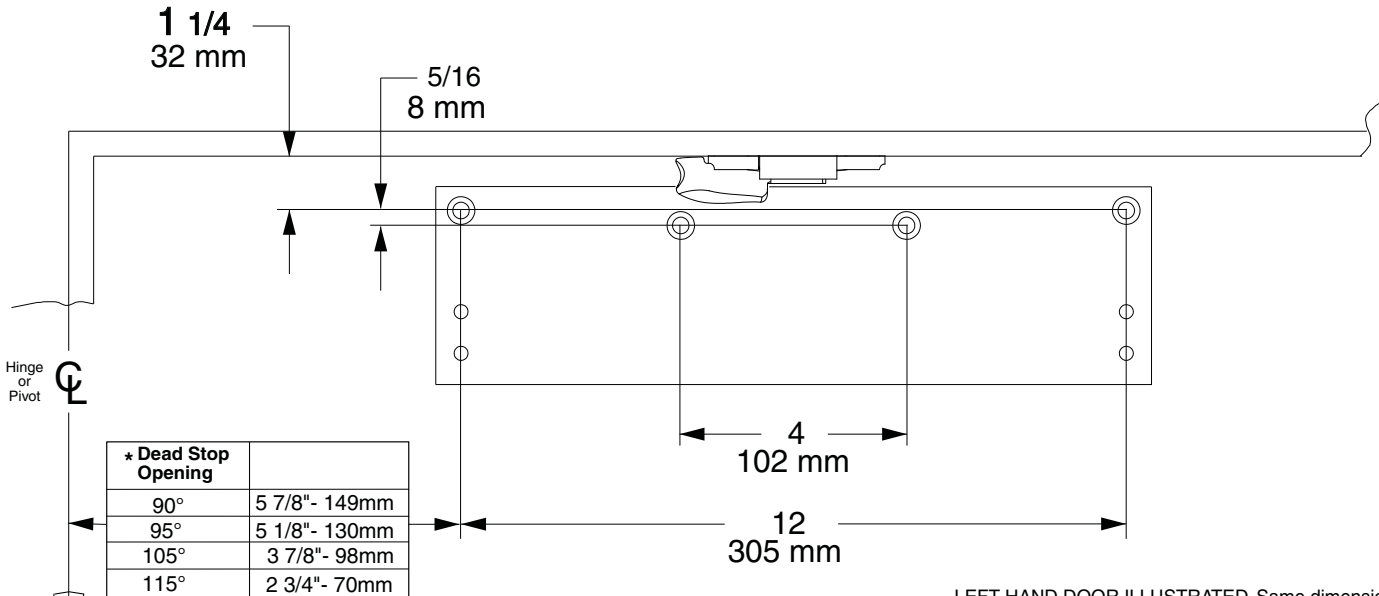


**PUSH SIDE MOUNT ON:
SC80-18PA DROP PLATE**

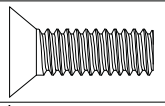
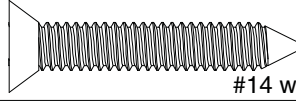
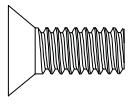


General Notes:

1. Use Spring -N- Stop instruction sheet for installation sequence and closer adjustments.
2. Backcheck faces toward the hinge edge.
3. Hold-open point is 5° less than dead stop opening.
- * 4. Use shorter machine screws to attach cylinder to drop plate.



LEFT HAND DOOR ILLUSTRATED. Same dimensions apply for Right Hand Door measured from hinge side.

PLATE FASTENERS		DOOR / FRAME	DRILL-SIZES
PLATE	 1/4-20 machine	METAL	drill: #7 tap: 1/4-20
	 #14 wood	WOOD	1/8"
CLOSER BODY	 1/4-20 machine	PLATE	N/A

CAUTION
IMPROPER INSTALLATION OR REGULATION MAY RESULT IN PERSONAL INJURY OR PROPERTY DAMAGE. FOLLOW ALL INSTRUCTIONS CAREFULLY. FOR QUESTIONS, CALL Dor-O-Matic AT 1-800-815-1517

DANGER
Une installation ou un réglage inadéquats peuvent entraîner des blessures ou des dommages. Veuillez suivre toutes les instructions avec soin. Pour plus de renseignements, composez le 1-800-815-1517

ADVERTENCIA
Una instalación o un ajuste incorrectos pueden resultar en daño personal o material. Siga bien todas las instrucciones. para más informaciones, llama a tcn al 1-800-815-1517

