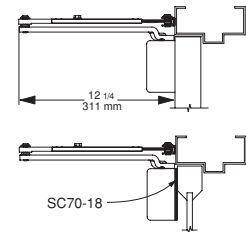
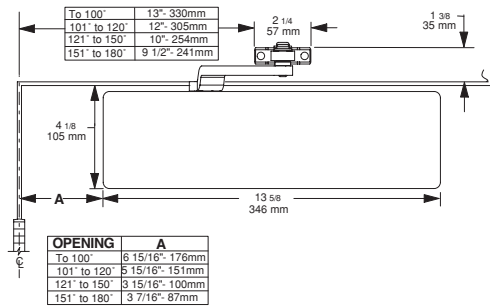
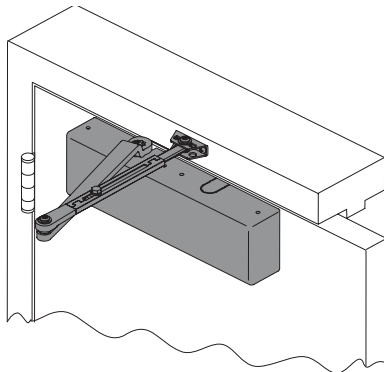


## APPLICATIONS / MOUNTING STYLES

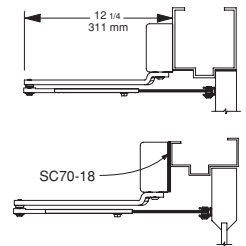
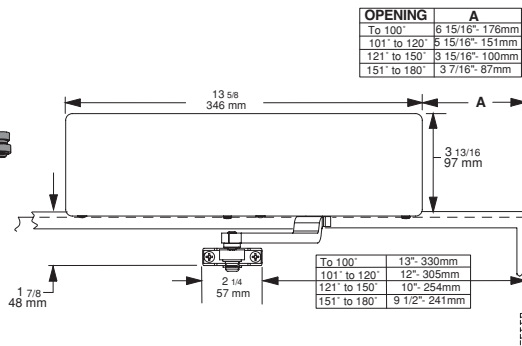
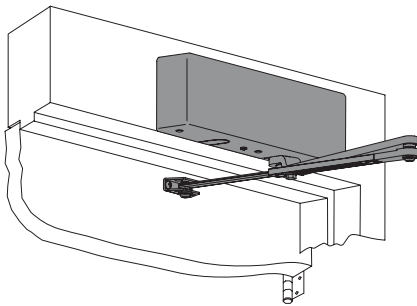
### Regular Arm (Pull Side)

This pull side application is also known as Hinge Side mount because the closer is on the same side as the hinges. This type of application will provide the best power efficiency for a door closer. Key things to consider when using this application are; closer projection versus adjacent wall, ceiling clearance, and available door top rail. Regular arm mount requires a SC70-18 drop plate if top rail is less than 3 1/2"



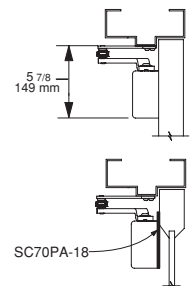
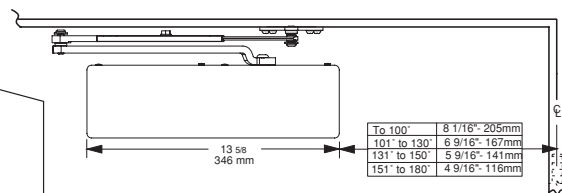
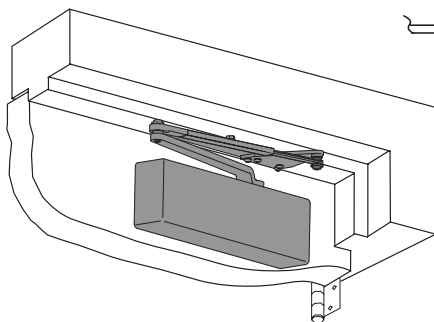
### Top Jamb (Push Side)

The push side / top jamb mounting application is when the closer is mounted to the face of the head frame and the arm attaches to the top rail of the door. The closer power efficiency is second to the Pull Side Mount. Key things to consider when using this application are; height of face frame, ceiling clearance, and reveal depth. Top jamb mount required a SC70-18 drop plate if face frame is less than 3 1/8".



### Parallel Arm (Push Side)

The Push side mount is when the closer is mounted to the door and the arm attaches to the underside of the head jamb. In the closed position the arm is parallel to the door. With the arm is positioned parallel to the door you are also reducing the potential of vandalism. The power efficiency of this application is lower than Pull or top jamb mount. Key considerations when using this application; door top rail, width of stop, and width of frame. Requires a 5 7/8" top rail when mounting as Rw/PA.



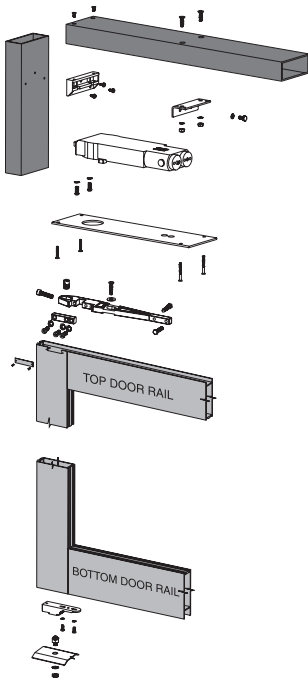
## Mechanical Door Closers

# OHC100A Series

### Mounting Application Aluminum Door and Frame

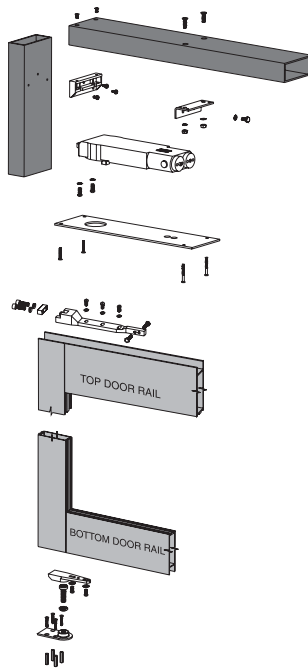
#### Side Load

Double or Single-Action  
Aluminum Door and Frame  
1/2" Top Rail



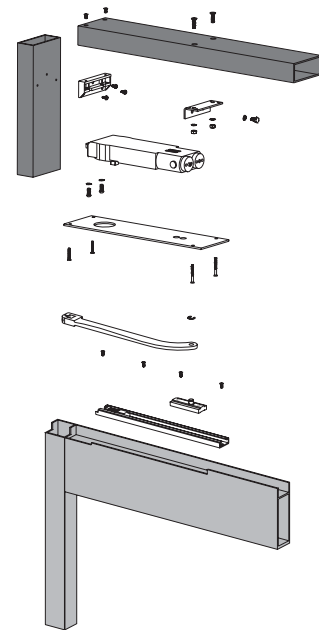
#### End Load

Double or Single-Action  
Aluminum Door and Frame  
1" Top Rail



#### VO Offset Track

Single-Action  
Aluminum Door, Frame and Hinges  
7/8" Top Rail



\*Cover plate and fasteners to be provided by frame manufacturer.