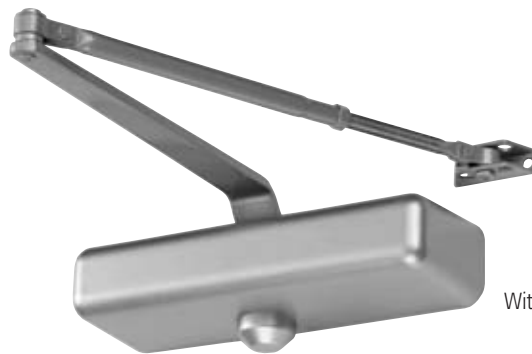


Mechanical Door Closers

SC60 Series



Less Cover



With Cover

How to Order

Identify the desired spring power, cylinder function, cover option, arm option, fastener pack and finish.

Size	Cylinder	Covers	Arms	Fastener Pack	Finishes
1-4 (SC61)	DEL*	Cover*	Rw/PA	TBWMS	DKBRZ
2-5 (SC60)	STD	Less	Hw/PA*		BRASS* ALUM
4 (SC64)			DS*		
5 (SC65)			HO/DS*		
			HD*		
			SS*		
			SS/HO*		

*Not available on SC64 and SC65

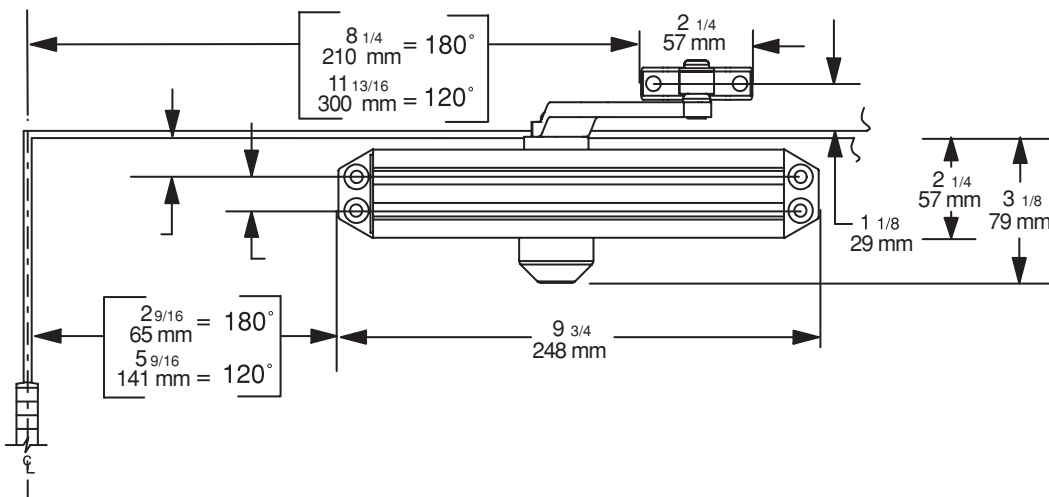
Installation Accessories

Part No.	Description	Finishes
4327	Plate, SC60-18TJ	ALUM, DKBRZ, BRASS
4357	Plate, SC60-18PA	ALUM, DKBRZ, BRASS

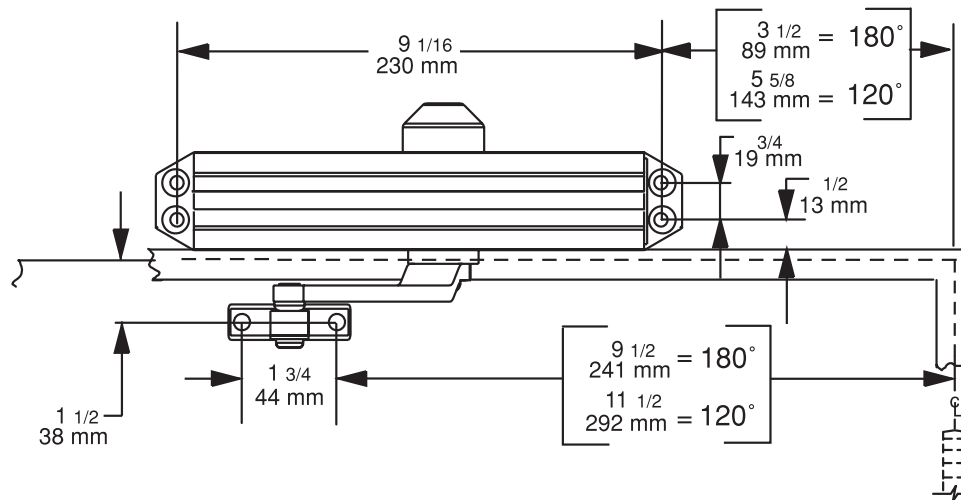
Regular Arm (Pull Side) SC60 and SC61 Only

Applications

- ANSI/BHMA A156.4, Grade 1
- SC60 closers are suitable for interior doors from 30" to 54" wide and exterior doors up to 42" wide.
- SC61 closers are suitable for interior doors up to 48" wide and can be adjusted to meet the ADA accessibility requirements.
- UL10C approved all weather fluid
- Ten year warranty



Top Jamb (Push Side) SC60 and SC61 Only



Parallel Arm (Push Side) SC60 and SC61 Only

