

Mechanical Door Closers

SC80 Series



Full Cover



Slim Cover

How to Order

Identify the desired closer size, cylinder function, cover option, arm option, fastener pack and finish.

Size	Cylinder	Covers	Arms	Fastener Pack	Finishes
1-4 (SC81)	DEL	Full	Rw/PA	TBWSM	DKBRZ
2-5 (SC80)	STD	Slim	Hw/PA DS HO/DS HD SS SS/HO		ALUM BRASS

Installation Accessories

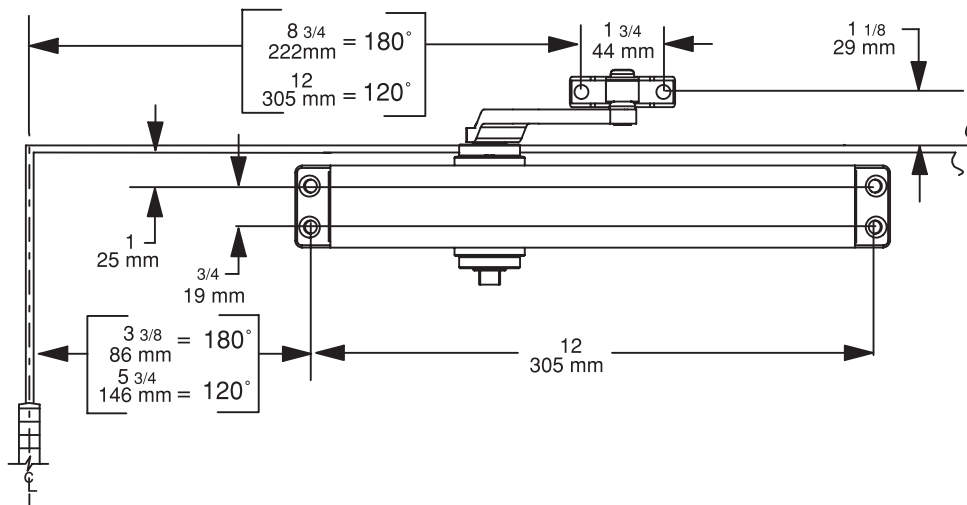
Part No.	Description	Finishes
4345*	Plate, SC80-18TJ	ALUM, DKBRZ, BRASS
4348*	Plate, SC80-18PA	ALUM, DKBRZ, BRASS

* Fits both slim and full covers

Applications

- ANSI/BHMA A156.4, Grade 1
- SC80 closers are suitable for interior doors from 30" to 54" wide and exterior doors up to 42" wide.
- SC81 closers are suitable for interior doors up to 48" wide and can be adjusted to meet the ADA accessibility requirements.
- UL10C approved all weather fluid
- Ten year warranty

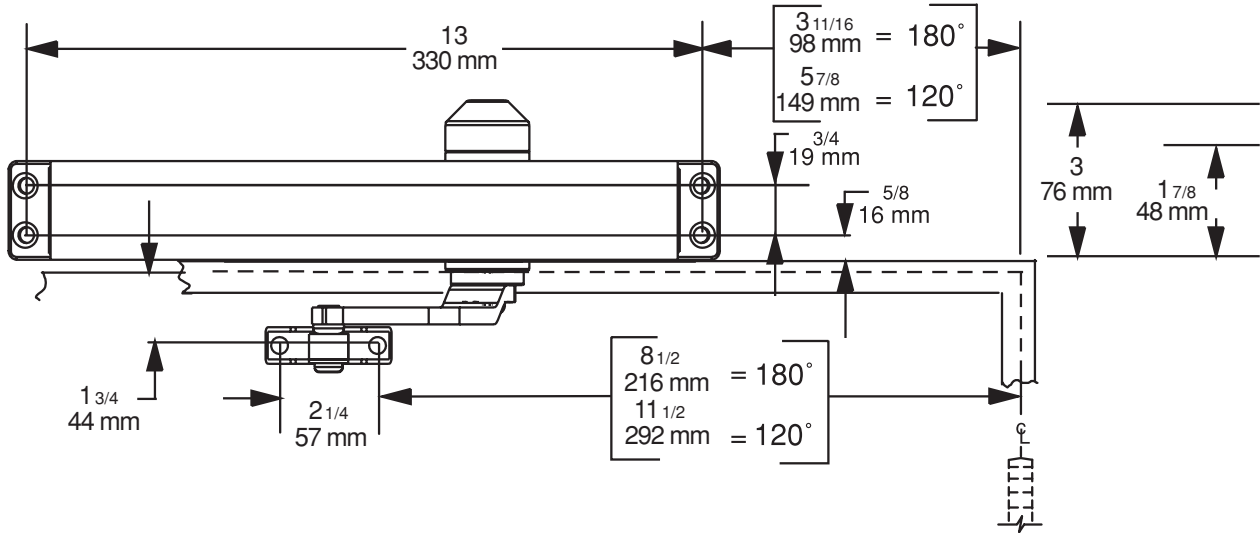
Regular Arm (Pull Side)



DOR-O-MATIC®

Door Hardware Made Easy!

Top Jamb (Push Side)



Parallel Arm (Push Side)

