

Mechanical Door Closers

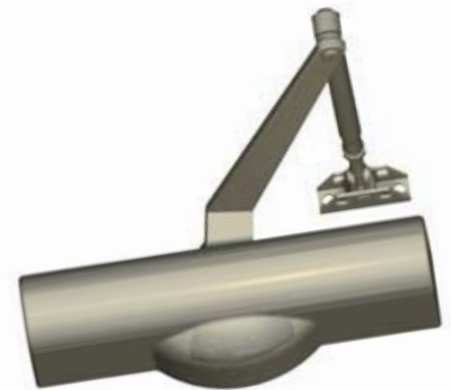
SC90 Series



SC91



SC93 and SC94



SC93 and SC94 with Slim Full Cover

How to Order

Identify the desired closer size, cylinder function, cover option, arm option, fastener pack and finish.

Size	Cylinder	Full Cover	Arms	Fastener Pack	Finishes
1 (SC91)	STD	Slim**	Rw/PA	TBWMS	ALUM
3 (SC93)	WOBC*		Hw/PA		DKBRZ
4 (SC94)					BRASS

* SC91 available only without backcheck

** SC93 and SC94 available with Full cover option

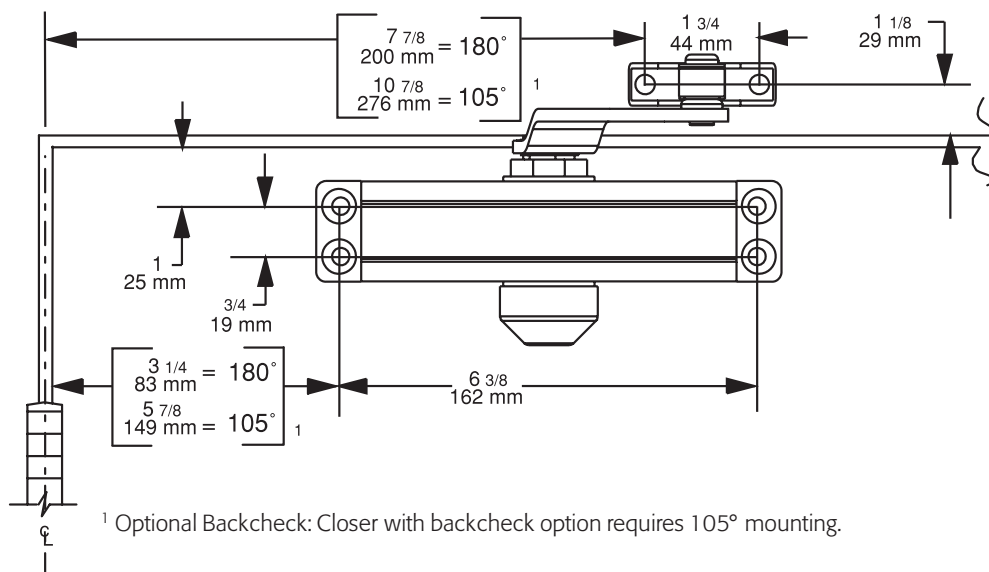
Installation Accessories (only for SC93 and SC94)

Part No.	Description	Finishes
4327	Plate, SC90-18TJ	ALUM, DKBRZ, BRASS
4357	Plate, SC90-18PA	ALUM, DKBRZ, BRASS

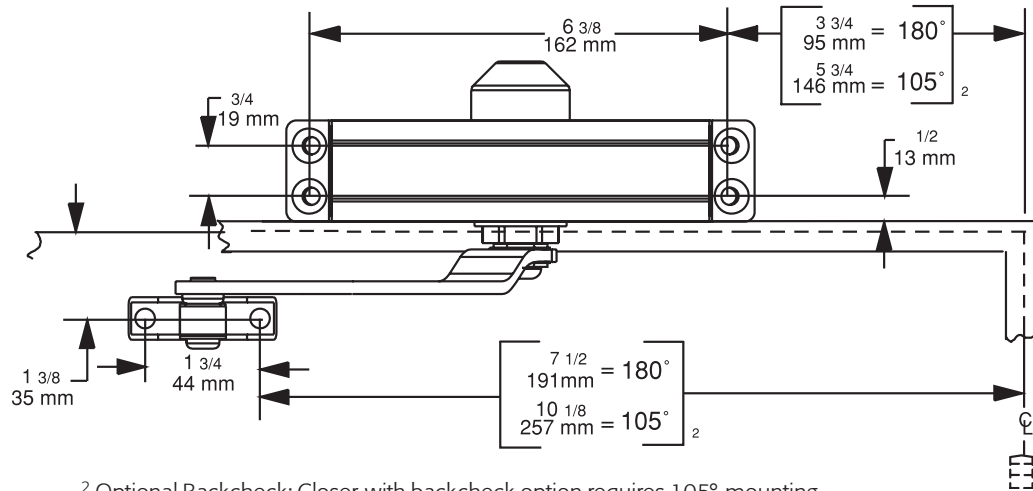
Applications

- ANSI / BHMA A156.4, Grade 3
- SC91 closers are suitable for lightweight interior doors and are preset. They meet ADA accessibility requirements.
- UL10C approved all weather fluid
- Ten year warranty

Regular Arm (Pull Side) SC91 Shown, for SC93 and SC94 see SC60 Dimensions



Top Jamb (Push Side) SC91 Shown



Parallel Arm (Push Side) SC91 Shown

